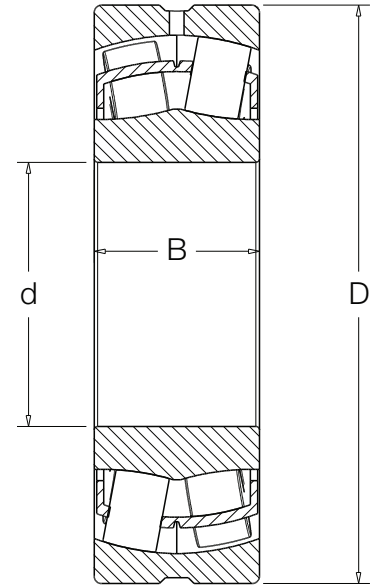
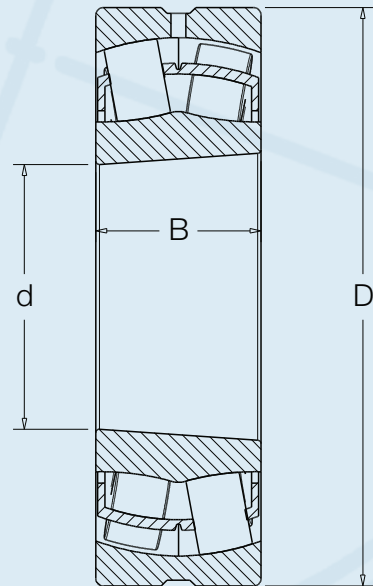


22300 series

Bearing Number	Dimensions (mm)			Dynamic Load Rating (lbf)	Static Load Rating (lbf)	Weight (lbs)
	d	D	B			
22308	40	90	33	16522	20344	2.3
22309	45	100	36	24278	31472	3.1
22310	50	110	40	31651	38216	4.0
22311	55	120	43	38328	44510	5.1
22312	60	130	46	41543	50580	6.3
22313	65	140	48	46488	56649	7.7
22314	70	150	51	56874	70812	9.3
22315	75	160	55	64787	87222	11.5
22316	80	170	58	71216	91044	13.9
22317	85	180	60	76162	98912	16.2
22318	90	190	64	90257	121841	19.5
22319	95	200	67	95202	128136	22.8
22320	100	215	73	111276	150166	28.5
22322	110	240	80	134767	187033	39.3
22324	120	260	86	159495	223001	49.2
22326	130	280	93	178536	256272	61.9
22328	140	300	102	204006	301232	76.6
22330	150	320	108	276504	359680	95.9
22332	160	340	114	310224	402392	114.2
22334	170	360	120	319216	463088	133.7
22336	180	380	126	330456	510296	149.8
22338	190	400	132	343719	568744	183.1



STRAIGHT BORE



TAPERED BORE

C - Symmetrical Roller, Stamped Steel Retainer

CA - Symmetrical Roller, One-Piece Bronze Retainer

MB - Symmetrical Roller, Two-Piece Bronze Retainer

W33 - A lubricating groove and three lubricating holes on the outer race

K - 1:12 Tapered Bore

C3 - Larger than nominal clearance